

Patents, Designs, and Trade Marks

SUPPLEMENT

TO THE

NEW ZEALAND GAZETTE

OF

THURSDAY, JULY 27, 1911.

Published by Authority.

WELLINGTON, THURSDAY, JULY 27, 1911.

CONTENTS.

	Page
International and Intercolonial Arrangements for the Mutual Protection of Patents and Trade Marks ..	2411
Applications for Letters Patent filed	2412
Complete Specifications filed after Provisionals ..	2413
Complete Specifications accepted	2413
Provisional Specifications accepted	2416
Letters Patent sealed	2416
Letters Patent on which Fees have been paid ..	2416
Subsequent Proprietors of Letters Patent registered	2417
Request for Correction of Clerical Error in Application for Letters Patent allowed	2417
Applications for Letters Patent abandoned ..	2417
Applications for Letters Patent void	2417
Applications for Letters Patent lapsed	2417
Letters Patent void	2417
Applications for Trade Marks filed	2417
Applications for Registration of Trade Marks ..	2418
Trade Marks registered	2421
Trade Mark Renewal Fees paid	2421
Trade Marks removed from the Register	2421
Subsequent Proprietor of Trade Marks registered ..	2421
Application for Trade Mark opposed	2422
Applications for Trade Marks abandoned or refused	2422

International and Intercolonial Arrangements for the Mutual Protection of Patents and Trade Marks.

INTERNATIONAL CONVENTION.

THE following countries now belong to the Convention :—

Australia.	Hungary.
Austria.	Italy.
Belgium.	Japan.
Brazil.	Mexico.
Ceylon.	New Zealand.
Cuba.	Norway.
Denmark and Faroe Islands.	Portugal, with the Azores and Madeira.
Dominican Republic.	Servia.
France, with Algeria and colonies.	Spain.
Germany.	Sweden.
Great Britain.	Switzerland.
Holland, with East Indian colonies, Curaçoa, and Surinam.*	Trinidad and Tobago.
	Tunis.
	United States of America.

* Trade marks only.

Separate arrangements have been made between Australia and New Zealand.

Particulars of the Convention and of such arrangements may be seen in the following *Gazettes* :—

Notification of adherence of New Zealand to the Convention, with text thereof (in English), in the *Gazette* of 26th November, 1891; notification of adherence of New Zealand to the Additional Act of the Convention, in *Patents Supplement to Gazette* No. 101, of the 16th November, 1905; Order in Council applying section 103 of the Imperial Act to New Zealand, in *Gazette* No. 27, of the 15th May, 1890; Orders in Council containing arrangements between Australia and New Zealand, in *Patent Supplements to the Gazette* Nos. 22, of the 9th March, 1905, and 38, of the 20th April, 1905.

Applications for Letters Patent filed.

LIST of applications for Letters Patent filed. (Where a complete specification accompanies an application an asterisk is affixed; in all other cases a provisional specification has been lodged. In all cases where the applicant is not the inventor the name of the latter appears in italics in brackets. † Denotes an application under the International and Intercolonial Arrangements.)

Wearn, J. S., Christchurch, N.Z.	Tram-car route-recorder; 29830; 6th July.
Griffin, P. J., Wellington, N.Z.	Billy, tea-can, &c.; 29831; 7th July.
Coe, W. H., Wellington, N.Z.	Billy, tea-can, &c.; 29831; 7th July.
Allen, G. T., Timaru, N.Z.	Swingletree-shackle; 29832; 8th July.
McLeod, A., Auckland, N.Z.	Lamp*; 29833; 7th July.
Bromwich, K. L., Paeroa, N.Z.	Teapot*; 29834; 7th July.
Harrison, W. H., Otamoa, N.Z.	Weed-destroyer*; 29835; 5th July.
Prior, A., Dunedin, N.Z.	Box*; 29836; 7th July.
Brickell, R. W., Dunedin, N.Z.	Box*; 29836; 7th July.
Tait, A. L. J., Dunedin, N.Z.	Pot-lid cleaning, &c., attachment; 29837; 7th July.
Metcalfe, H., Auckland, N.Z.	Nut-lock; 29838; 10th July.
Macalister, J., Invercargill, N.Z.	Tip-wagon end; 29839; 7th July.
Ramage, J., Balclutha, N.Z.	Acetylene-generator; 29840; 8th July.
Quail, W. H., Clarendon, Can.	Animal-nose protector*; 29841; 8th July.
Thomson, T., Westlea, Scot.	Linseed-oil substitute*; 29842; 11th July.
Hill, J. A., Sheffield, Eng.	Fire-bridge*; 29843; 11th July.
Everton, E. T., Birmingham, Eng.	Steam-cooker*; 29844; 11th July.
Johnsen, J. A., Copenhagen, Den.	Micro-movement*; 29845; 11th July.
Thomas, J., Kenilworth, Eng.	Smoke-consumer, &c.*; 29846; 11th July.
Boucher, F. J., Auburn, Vic.	Flashlight mechanism*; 29847; 19th September, 1910.†
Clapham, J. N., Palmerston North, N.Z.	Runaway-horse preventer*; 29848; 11th July.
Chilton Flusher Company, Limited, Auckland, N.Z.	Flusher; 29849; 11th July.
<i>(Chilton, E. J.)</i>		
Cuthbert, E. M., Gisborne, N.Z.	Drain-trap protector; 29850; 11th July.
Fiddy, F. C. P., Gisborne, N.Z.	Drain-trap protector; 29850; 11th July.
Keesing, H. M., Auckland, N.Z.	Gas-mantle toughener; 29851; 10th July.
Player, C. E., Northcote, N.Z.	Rug, mat, &c.*; 29852; 10th July.
Patchett, W., Caistor, Eng.	Reaping-machine attachment*; 29853; 11th July.
Lamson Store Service Company, Limited, London, Eng.	Cash-carrier*; 29854; 12th July.
<i>(Fawcett, H. J.)</i>		
Beers, A. J., East Brunswick, Vic.	Iron-moulding*; 29855; 15th July, 1910.†
Fitzsimons, T. F., Sydney, N.S.W.	Valve for liquid-discharge*; 29856; 26th August, 1910.†
Brookes, M. J., Wellington, N.Z.	Ticket and booking plan; 29857; 12th July.
Hamlin, E. A. G., Napier, N.Z.	Railway danger-signal; 29858; 12th July.
Gurr, T. S., Dunedin, N.Z.	Life-belt, &c.; 29859; 11th July.
Hobbs, R. J., Dunedin, N.Z.	Life-belt, &c.; 29859; 11th July.
Bartlett, S., Dunedin, N.Z.	Paper-wrapper; 29860; 11th July.
Willden, H. P., Dunedin, N.Z.	Petrol-gas apparatus*; 29861; 11th July.
Massey, W., Mangere, N.Z.	Wire-strainer*; 29862; 13th July.
Cooper, A., Palmerston North, N.Z.	Tussock, &c., knife; 29863; 13th July.
Lumby, W. P., Upper Moutere, N.Z.	Fire-lighter; 29864; 13th July.
Muntz, C. F., Upper Moutere, N.Z.	Fire-lighter; 29864; 13th July.
McNeil, H. J., Auckland, N.Z.	Billiard game; 29865; 12th July.
Blissett, I. A., Rangitata, N.Z.	Hatpin-protector; 29866; 13th July.
Ryan, T. W., Ottawa, Can.	Rifle-bucket*; 29867; 14th July.
Trumble Refining Company, Kingman, U.S.A. <i>(Trumble, M. J.)</i>	Evaporation of liquids*; 29868; 14th July.
Current Motor Company, Washington, U.S.A. <i>(Barron, C. A.)</i>	Current-motor*; 29869; 14th July.
Ridd Milking Machine Company, New Plymouth, N.Z. <i>(Sutton, S. J.)</i>	Milking-machine pulsator; 29870; 14th July.
Sorenson, N., Paeroa, N.Z.	Barrow-wheel; 29871; 13th July.
Goldsworthy, E., Paeroa, N.Z.	Barrow-wheel; 29871; 13th July.
Eggleton, W., Bunnythorpe, N.Z.	Scutcher; 29872; 15th July.
Hopkins, J. T., Petone, N.Z.	Stop-cock; 29873; 15th July.
Wright, A. H., Dunedin, N.Z.	Stamping-machine mechanism; 29874; 15th July.
Daikee, H. G., Picton, N.Z.	Weed-eradicator, &c.; 29875; 17th July.
Hicks, W., Auckland, N.Z.	Rubber-heel securing; 29876; 17th July.
King, W. S., Cambridge, N.Z.	Rubber-heel securing; 29876; 17th July.
Burrows, S., Wellington, N.Z.	Medicine; 29877; 17th July.
Wearn, J. S., Christchurch, N.Z.	Tramcar-destination board; 29878; 17th July.
Haswell, W. H., Auckland, N.Z.	Hatpin-protector; 29879; 15th July.
Staines, F., London, Eng.	Sink*; 29880; 22nd September, 1910.†
Staines, F., London, Eng.	Crockery-washer*; 29881; 18th July.
Powers, T. B., London, Eng.	Clock*; 29882; 24th February.†
Eureka Clock Company, Limited, London, Eng.	Clock*; 29882; 24th February.†
Child, R. C., London, Eng.	Ink-manufacture*; 29883; 18th July.
Wilbuschewitsch, M., Nischninowgorod, Russia	Fat, &c., melting*; 29884; 18th July.
Fowler, W. T., Te Rou, N.Z.	Reaping-machine; 29885; 18th July.
Teese, W. J., Garden Vale, Vic.	Milking-machine pulsator; 29886; 20th July.
Scott, J. L., Christchurch, N.Z.	Air-valve*; 29887; 18th July.
Scott, G., Christchurch, N.Z.	Air-valve*; 29887; 18th July.
McLean, L., Boons West, N.S.W.	Insect-destroyer*; 29888; 15th September, 1910.†
Lambert, W. H., Orepuki, N.Z.	Clothes-peg; 29889; 17th July.
Willson, W. H. J., St. Kilda, Vic.	Tire-cover*; 29890; 17th August, 1910.†
Moody, S., Preston, Vic.	Tire-cover*; 29890; 17th August, 1910.†
Fraser, J. H., Youanmte, Vic.	Cultivator*; 29891; 20th July.
Wall, E., Teesdale, Vic.	Potato-planter*; 29892; 23rd July, 1910.†
Daikee, H. G., Picton, N.Z.	Box, &c., binding; 29893; 20th July.
McFarlane, T. J., Warkworth, N.Z.	Saw; 29894; 20th July.
Johnson, F., Warkworth, N.Z.	Saw; 29894; 20th July.
Walker, J. W., Bradford, Eng.	Boat-gear*; 29895; 20th July.
Shuker, J., Christchurch, N.Z.	Seed-thresher; 29896; 19th July.
Burridge, C., Wairoa, N.Z.	Filter; 29897; 21st July.

Complete Specifications filed after Provisionals.

LIST of complete specifications filed after provisional specifications from the 7th to the 20th July, 1911, inclusive:—

- No. 28396.—New Zealand Hemp and By-products Company, Limited, flax-stripper. (W. G. Richardson.)
- No. 28443.—E. A. Allan, basket attachment to saddle.
- No. 28539.—C. Suttie and M. H. Wynyard, tow-treatment.
- No. 28577.—S. G. Ralph, rat-trap.
- No. 28595.—H. Droutlege, teat-cup lining.
- No. 28603.—G. Carrington, wire-strainer.
- No. 28605.—J. Hopkirk, curd-agitator.
- No. 28625.—United Shoe Machinery Company, boot-machine. (E. Brothers.)
- No. 28707.—United Shoe Machinery Company, fastener-inserting machine. (L. A. Casgrain.)
- No. 28710.—United Shoe Machinery Company, fastener-inserting machine. (G. Goddu.)
- No. 28732.—A. M. Grainger, boot frame or protection.
- No. 28774.—United Shoe Machinery Company, gripper. (B. F. Mayo and E. I. La Chapelle.)
- No. 28813.—W. Nelson, tar-extractor.
- No. 28826.—E. M. Thompson, venetian blind.
- No. 29574.—A. E. Young, newspaper-wrapper.

Notice of Acceptance of Complete Specifications.

Patent Office,
Wellington, 26th July, 1911.

COMPLETE specifications relating to the undermentioned applications for Letters Patent have been accepted, and are open to public inspection at this office. Any person may, at any time within two months from the date of this *Gazette*, give me notice in writing of opposition to the grant of any such patent. Such notice must set forth the particular grounds of objection, and be in duplicate. A fee of 10s. is payable thereon.

The copies of claims and extracts from the specifications and drawings are merely intended to give some further indication of the invention than is disclosed in the title, and the complete specifications and drawings should be referred to for a description of the invention.

No. 28115.—19th July, 1910.—WALTER SEIFERT, of Palmerston North, New Zealand, Flax-miller. Improved means for use in the operation of flax-catching appliances.*

Extract from Specification.—In carrying out the invention the stripper-drum spindle is mounted in sliding bearings that are spring-cushioned in such a manner that when a blade is fed into the machine between the drum and the beater-bar the drum will move back against the action of the springs. A lever-arm or like appliance is pivoted on the stripper-frame in such a position that one end will lie in the line of movement of the drum-spindle as it is pressed back so that the level will be rocked on each movement of such spindle. The other end of the lever is then connected to the catching-appliances to be set in action so that the movements of the lever may be communicated to them in any of the well-known ways. (Specification, 3s. 6d.)

[NOTE.—The above extract from the specification is inserted in place of the claims.]

No. 28264.—16th August, 1910.—JOSEPH MARGULIES LONDON, of 20 Central Hill, Norwood, London, England, Gentleman. Improvements in the construction of trumpets or sound-amplifiers.*

Claims.—(1.) A trumpet or a portion of a trumpet for a talking-machine, or other musical instrument, or for other purposes, comprising a framework with a polygonal aperture therein, and a flap pivotally attached at each face of the polygon in such a way that the flaps, when all closed, lie flat over one another, and when all open, form a complete bell, for the purposes set forth. (Specification, 5s. 9d.)

[NOTE.—Here follow four other claims.]

No. 28319.—24th August, 1910.—ALEXANDER WALKER REID, of Stratford, New Zealand, Engineer. An improved vacuum-operated pulsator for milking-machines.*

Extract from Specification.—A bed-plate that is formed with a pair of apertures therein adapted to be connected with vacuum and with the teat-cups, and a second pair of apertures which are arranged respectively on opposite sides

of the aperture connected with the vacuum. This latter pair of apertures are connected with the respective ends of a slide-valve chamber. Mounted on the bed-plate is a D valve, so formed that when in one position it will provide a passage between the apertures connected with the teat-cups and the vacuum, and at the same time provide a passage between the vacuum and the aperture leading to one end of the valve-chamber, and, when in another position, to uncover the aperture leading to the teat-cups and the aperture connected with the valve-chamber, and to provide a passage leading from the vacuum-aperture to the aperture connected with the reverse end of the valve-chamber. The D valve is adapted to be moved reciprocally over the bed-plate in order to alternately occupy these two positions by means of the movements of a piston mounted within a cylinder. This cylinder is adapted to have its two ends alternately connected with air and vacuum by the movements of a special form of valve mounted in the valve-chamber, and thus to actuate the piston and D valve, and by the movements of the D valve cause the slide-valve to be actuated to reverse the connections of the cylinder. (Specification, 8s. 9d.)

[NOTE.—The above extract from the specification is inserted in place of the claims.]

No. 28362.—31st August, 1910.—CHARLES ALBERT OLDMAN, of Waiatu, New Zealand, Blacksmith. Automatic drill-lubricating attachment for blacksmith drilling-machines.*

Claims.—(1.) The automatic drill-lubricator consisting of a curved or semi-circular lubricator, adapted to fasten on the drill-chuck and automatically lubricate the drill with a regulated supply of lubricant, substantially as described. (2.) The automatic drill-lubricating attachment for blacksmith drilling-machines constructed and operating substantially as described and illustrated, and for the purpose specified. (Specification, 1s. 3d.)

No. 28386.—6th September, 1910.—UNITED SHOE MACHINERY COMPANY, of Paterson, in the State of New Jersey, United States of America, a corporation duly organized under the laws of said State of New Jersey, carrying on business as Shoe-machinery Manufacturers, and having a place of business at 205 Lincoln Street, Boston, Massachusetts, in said United States of America (assignees of Arthur Bates, of Leicester, England, Engineer). Improvements in or relating to heel-breasting machines.*

Claims.—(1.) A heel-breasting machine comprising a heel-breasting tool, and means to utilize said tool as a gauge by which to locate said heel in working-position. . . . (5.) A heel-breasting machine comprising power-actuated heel-breasting mechanism, manually operable means to permit preadjustment of said mechanism and to effect its release for said heel-breasting operation. . . . (9.) In a heel-breasting machine, a knife-holder having rotatable abutments with their axes arranged lengthwise of the knife and adapted to be engaged by the back of said knife. (Specification, 15s. 6d.)

[NOTE.—Here follow thirteen other claims.]

No. 28431.—14th September, 1910.—UNITED SHOE MACHINERY COMPANY, of Paterson, in the State of New Jersey, United States of America, a corporation duly organized under the laws of said State of New Jersey, carrying on business as Shoe-machinery Manufacturers, and having a place of business at 205 Lincoln Street, Boston, in the Commonwealth of Massachusetts, in said United States of America (assignees of Ronald Francis McFeely, of Beverly, in the County of Essex and said Commonwealth of Massachusetts, Inventor). Improvements in or relating to the manufacture of boots and shoes.*

Claims.—(1.) For an assembling and lasting and like machine, the combination of means for stressing the upper forwardly on a last and holding it under tension without fastening it, of automatic means for lasting the heel-seat portion of the shoe while such tension is maintained, with or without automatic means for securing the heel-seat portion of the upper in lasted position. . . . (10.) For an assembling or lasting and like machine, the combination with an oscillatory hopper and a reciprocatory tack-separating device, of mechanism for actuating the hopper once in each cycle of operations of the machine, and means driven from said actuating mechanism to impart to the separating-device two complete reciprocations for each oscillation of the hopper. . . . (20.) A shoe-making machine having, in combination, shoe-positioning means, means operating a plurality of times on the same portion of stock for forcing the upper from the edge inwardly over the last-bottom, and means operating automatically to raise and lower the shoe with relation to said overworking-means to vary its pressure upon the shoe. . . . (30.) A machine of the class described having, in combination, mechanism for feeding and driving fastenings, manually controlled means adapted to be set during a cycle of the machine's operation to delay the driving

of the fastening while the machine proceeds in operation past the normal driving-period, and then, at the will of the operator, to be reset to cause a delayed driving of the fastening, or to remain in first-mentioned position and prevent the driving of the fastening until the next cycle, and means for arresting the feeding of another fastening until the one waiting to be driven has been expelled. (Specification, £1 17s. 6d.)

[NOTE.—Here follow twenty-one other claims.]

No. 28432.—14th September, 1910.—UNITED SHOE MACHINERY COMPANY, of Paterson, in the State of New Jersey, United States of America, a corporation duly organized under the laws of said State of New Jersey, carrying on business as Shoe-machinery Manufacturers, and having a place of business at 205 Lincoln Street, Boston, in the Commonwealth of Massachusetts, in said United States of America (assignees of Herschel Dorsey Spencer, of 11 McLellan Street [Dorchester], Boston, in the County of Suffolk, Massachusetts, Patent Lawyer). Improvements in or relating to presses.*

Claims.—(1.) For a clicking or other press, the combination with presser-members relatively movable towards one another to effect the pressing operation, and also relatively movable in a direction transverse to the direction of their pressing movement into different operative positions in relation to one another, of a brake that becomes active to prevent the movement of the members beyond any selected operative relationship into which they have been brought before the commencement of the pressing movement.

(Specification, 13s.)

[NOTE.—Here follow eight other claims.]

No. 28456.—19th September, 1910.—CHARLES SUTTIE, of Waharoa, New Zealand, Flax-miller, and MONTAGUE HARRISON WYNARD, of Auckland, New Zealand Solicitor. Improvements in flax-dressing.*

Extract from Specification.—The invention consists of a travelling tensioned band or bands across which the stripped flax-blades are placed, a revolving wheel having a groove along its outer periphery to receive the band or bands and so hold the flax-blades firmly in the "bite" between the band or bands and the groove, a bar roller or table over which the "tail" ends of the flax-blades so held are drawn, and a driven stripper or drum or endless band fitted with sharp ribs or teeth or hackles (to strip or split the tails) and placed and revolved so that the flax-tails, as they fall from the bar roller or table, are caught and treated by the stripping or splitting apparatus. (Specification, 5s.)

[NOTE.—The above extract from the specification is inserted in place of the claims.]

No. 28618.—21st October, 1910.—JOSEPH CALEB MAY, of Arthur Street West, Onehunga, Auckland, New Zealand, Currier. Improved egg-carrier.

Claim.—(2.) An egg-carrier comprising a number of cells each adapted to receive one egg, each cell being moulded or pressed one half in one sheet and the other half in another sheet which is adapted to be superposed, substantially as specified and illustrated. (Specification, 1s. 9d.)

No. 28728.—11th November, 1910.—DAVID TOWNSEND SHARPLES, a citizen of the United States, residing at West Chester, Pennsylvania, United States of America, Manufacturer. Method of milking.

Claims.—(1.) The method of milking which consists in subjecting the teat to suction and intermittently applying pressure thereto so as to restore the tissues to approximately normal condition. . . . (4.) The method of milking which consists in enclosing the teat in a flexible sheath, reducing the normal exterior and interior pressure on said sheath so as to effect the discharge of milk from the teat, and pneumatically pressing said sheath against said teat so as to restore substantially normal conditions therein. (Specification, 5s.)

[NOTE.—Here follows one other claim.]

No. 29165.—21st February, 1911.—JAMES WYLLIE, of Dunedin, New Zealand, Carpenter (assignee of ROBERT WYLLIE, of Mosgiel, New Zealand, Labourer). Improved tea infuser and strainer.*

Claims.—(2.) A two-part tea infuser and strainer in which one part provided with legs to stand on the bottom of a teapot has a central portion of its bottom perforated and is adapted to engage and form a closure to the other part, which has a perforated dome-shaped top, through which projects the upper end of a plunger to whose lower end a float is secured, substantially as described. (Specification, 2s. 6d.)

No. 29445.—26th April, 1911.—BIRMINGHAM METAL AND MUNITIONS COMPANY, LIMITED, and JOHN HENRY BARKER, Engineers, of Adderley Park Rolling Mills, Birmingham, England. Improvements in and relating to the manufacture and handling of propulsive explosives.

Extract from Specification.—The invention consists in air-ranging cords, tubes, or similar formed lengths of explosive in a suitable symmetrical bundle of cable, braid, or other form which can be easily handled—for instance, for cartridge-loading. (Specification, 7s. 3d.)

[NOTE.—The above extract from the specification is inserted in place of the claims.]

No. 29450.—27th April, 1911.—ERNEST SMITH BALDWIN, of the firm of Baldwin and Rayward, 215 Lambton Quay, Wellington, New Zealand, Patent Agent (nominee of Henry William Guest, of Melbourne, Victoria, Australia, Implement-manufacturer, who is the assignee of William George Gaston, of corner of Arden and Lloyd Streets, Kensington, Victoria, Australia, Agricultural Implement-maker). An improved disc cultivator.*

Claims.—(1.) A disc cultivator constructed as described consisting essentially of a main frame of approximately rectangular shape, disc section or sections within said main frame and adapted for movement independently of the main frame, the rear of the disc section or sections connected to a rock-shaft controlled by a hand-lever for vertical adjustment, the front of the disc section supported in brackets depending from the main frame, a spring attached to the main frame and adapted to bear against the disc-section frame, a pivotally mounted adjustable rear wheel, flat scrapers set at an inclined angle and having their lower ends bent towards the disc-centre, wheels having rims constructed of angle iron or steel with a deep projecting flange on the outer periphery in combination with adjustable draw-bars, and a steering rod or lever upon a pivotally mounted bar, to each end of which is connected rods from the front wheels, substantially as and for the purposes specified. (Specification, 7s. 3d. r)

[NOTE.—Here follow eight other claims.]

No. 29536.—9th May, 1911.—JOHN TOWNLEY, Master Cabinetmaker, &c., and WILLIAM JEMSON SHARPLES, Cabinet-maker, of 474 Aberdeen Road, both of Gisborne, New Zealand. An improved method in connection with extension tables.

Extract from Specification.—The top is clamped and screwed on each side, causing the side pieces only to rest on the leaves, thus leaving a through air-passage from end to end of table, which is the essence of this patent, and is intended to cover any kind of material, metal, or method in arriving at the required air-passage between the leaves and top. (Specification, 2s.)

[NOTE.—The above extract from the specification is inserted in place of the claims.]

No. 29622.—29th May, 1911.—HENRY MARK LEVINGE, M.B., of Okato, Taranaki, New Zealand. Improvements in standards for carrying clothes-lines.

Extract from Specification.—A standard is provided with a lever pivoted near the foot thereof, and with a guide-pulley near the top thereof. A clothes-line secured to a standard of ordinary construction passes over the pulley and is attached near the middle part of the lever. An operating-rope attached to the top of the lever is adapted to be attached to a stump on the rear side of said lever. (Specification, 2s.)

[NOTE.—The above extract from the specification is inserted in place of the claims.]

No. 29627.—30th May, 1911.—WILLIAM HENRY PERKIN, Ph.D., F.R.S., Professor of Chemistry, of the University, Manchester, England, and FRANCIS EDWARD MATTHEWS, Ph.D., F.I.C., Technical Research Chemist, and EDWARD HALFORD STRANGE, M.Sc., Technical Research Chemist, both of 7 Staple Inn, London, England. Improvements in the manufacture of dihalogen derivatives of paraffin hydrocarbons, and of caoutchouc-like bodies therefrom.

Claims.—(1.) The manufacture of dihalogen derivatives of paraffin hydrocarbons by taking a paraffin hydrocarbon having at least four carbon atoms in a straight chain and treating it with chlorine, or bromine, or both chlorine and bromine. (2.) The manufacture of dihalogen derivatives of paraffin hydrocarbons by taking a mono-hydroxy derivative of a paraffin hydrocarbon having at least four carbon atoms in a straight chain and replacing the hydroxy group with halogen, by the action of a suitable reagent, such, for instance, as hydrochloric acid, hydrobromic acid, or hydriodic acid, and then treating the monochlor compound with double, or approximately double, the weight of halogen which it is required to introduce into the molecules. (Specification, 6s.)

[NOTE.—Here follow six other claims.]

No. 29639.—30th May, 1911.—THOMAS FIRTH, of Wellington, New Zealand, Labourer. Stocks to secure the legs of animals, and means to secure the tail of the cow.

Claims.—(1.) In stocks for legs of animals and means to secure the tail of a cow, (1) the two bars, one adapted to slide alongside the other, (2) socket D, (3) standard C, with its shanked grip and conical-headed pin, and the simpler grip for other animals, substantially as described, and illustrated in my drawings. (2.) For securing the tail of the cow, the vertical bar with the plate-pin Z3, substantially as described, and illustrated in my drawings.

(Specification, 3s. 6d.)

No. 29642.—31st May, 1911.—GEORGE HERBERT GRAYSON, of Dexter Avenue, Mount Eden, Auckland, New Zealand, Painter, and WILLIAM MOODY BELL, Defence Office, Pukekohe, Auckland aforesaid, Drill Instructor. Improved ladder-bracket.

Claims.—(2.) A ladder-bracket comprising a member of a shape approximately to letter Y, having two integrally formed rung-hooks, and a portion providing the equivalent of a slot, in combination with a strut-member passing through the platform-member and adjustably secured thereto by a pin passing through holes in the respective members, substantially as specified, and illustrated in the drawing.

(Specification, 2s.)

No. 29655.—25th July, 1910.†—JOHN CHARLES PRESTON, of No. 255 Sussex Street, Sydney, New South Wales, Australia, Civil Engineer. Improvements in vaporizers for hydrocarbon vapour-burners.

Extract from Specification.—According to my invention, the oil- or spirit-feed pipe is fitted at the lower end with a gland and stuffing-box, and at the upper end with a plug which carries in its upper part a vapour-spraying nipple. Vaporization of the oil or spirit is effected in the upper part of this stand-pipe. The plug is cored in a special manner so as to deliver the vaporized oil or spirit into one end of a vapour-superheating coil which is branched to the feed-pipe, and to receive superheated vapor from the other end of the coil in a chamber at the foot of the nipple. The area of the orifice in the nipple is controlled by a needle valve armed with an elongated pricker-point. The stem of the needle is sheathed in a metal tube located within the oil- or spirit-feed pipe; one end of the sheath is set in the gland, and the other in the nipple-block.

(Specification, 6s. 3d.)

[NOTE.—The above extract from the specification is inserted in place of the claims.]

No. 29656.—3rd June, 1910.†—ARTHUR REGINALD ANGUS, of Spit Road, Mosman, New South Wales, Australia, Solicitor. Improvements in and relating to the running-gear of railway-cars "A."

Extract from Specification.—According to these present improvements, each wheel is independently positioned on one part of a divided axle—that is to say, each wheel has a semi-axle with bearings one on each side so disposed so that each transversely corresponding pair of semi-axes is prevented (within limits mentioned) from departing up or down from the straight line (or practically so) formed by the axis of such pair of semi-axes, which straight line (or practically so) may be termed the "axial line." Frames or frameworks, termed the wheel-frames, rigidly hold or maintain the axle-boxes of two longitudinally corresponding pairs of semi-axes of the railway-car in their proper positions relatively one to the other and prevent (within limits mentioned) the semi-axes within their bearings from departing from their axial line. An intermediate frame or framework, termed the connector-lock, rests upon and engages or locks with the mentioned wheel-frames on either side of the car and so hold or maintain the two transversely corresponding pairs of semi-axes in their axial line and the two longitudinally corresponding pairs of semi-axes in their proper position relatively to the car-body.

(Specification, £1 6s. 6d.)

[NOTE.—The above extract from the specification is inserted in place of the claims.]

No. 29683.—22nd June, 1910.†—FREDERICK JOHN TURNER BELL, of 165 Ainsworth Road, Bury, Director of a Company; HARDY CECIL BELL, of St. Leonard's Mount, Padiham, Director of a Company; and JOHN BRANDWOOD, of Elton, Bury, Managing Director of the Elton Cop Dyeing Company, Limited, all of Lancaster, England. Improvements in sewing-machines.

Claims.—(1.) A rotary bobbin-casing adapted to be driven in the manner indicated and to be used in a substantially vertical position, and formed with upper and lower flanges, each provided with a hook, substantially as and in the manner described. (2.) In a sewing-machine, the combination of a rotary bobbin-casing having upper and lower hooks and a reciprocating arm for moving the needle-thread loop from the upper hook to the lower one, both constructed and arranged and operating in conjunction with each other, substantially as described.

(Specification, 8s.)

[NOTE.—Here follow three other claims.]

No. 29705.—9th June, 1911.—WILLIAM SCOTT, of Christchurch, New Zealand, Engineer. An improved wire-strainer.

Claims.—(1.) A device of the class indicated comprising, in combination, a frame having a central portion and two end portions bent at approximately right angles thereto, a straining-lever comprising a member pivoted upon said frame and having a yoke upon which a handle-member is pivoted so that the wire may be gripped between the abutting ends, a cam pivoted upon said frame at either end and adapted to press the wire against a suitable projection formed upon the frame so as to prevent any outward movement, an arm arranged upon each of said cams, and a spring attached to each of said arms so as to keep said cams in engagement with the wires, a guide upon said frame between the cam at the forward end and the straining-lever adapted to keep the wire which is being strained in alignment, a foot provided upon said frame, and a hooked projection formed upon said frame to receive a chain or the like so as to hold the device firmly in place, substantially as and for the purpose set forth.

(Specification, 2s. 9d.)

[NOTE.—Here follows one other claim.]

No. 29714.—13th June, 1911.—EDOUARD BELIN, of 3 Boulevard Sighet, Paris, France, Engineer. Improvements in tachytelegraph and teletype machines.

Claims.—(1.) A tachytelegraph or rapid telegraph based on the use at the transmitter of a perforated band, serving for regulating the emission of the transmitting current, in which all the characters are transmitted by a single signal of always constant duration but formed of three perforations placed on the band in the same line and at points such that in the emitting-apparatus the potential and direction of the current is selected, and a resistance determined by the position of the perforation on the tape is added to it, the machine comprising a special mounting of the transmitter for avoiding too great width of tape, and an automatic regulating-device for the ohmic resistance of the line, enabling a constant intensity to be always maintained for a signal, and a photographic receiver recording the characters identical with those transmitted, substantially as described.

(Specification, £1 9s.)

[NOTE.—Here follow eight other claims.]

No. 29736.—17th June, 1911.—ALEXANDER MCLEAN, of "Brae Side," Ti-tree Point, Dannevirke, New Zealand, Farmer. Improvements in and relating to fencing-standards.

Claims.—(1.) In a fencing-standard consisting of bar iron, a slot opening at the edge of the bar, a vertical continuation of the slot, and a final horizontal return of the slot from the vertical part thereof, substantially as set forth. (2.) A foot for fencing-standards comprising a plate having a slot adapted to fit upon a fencing-standard, and means for engaging the standard to the plate, substantially as set forth.

(Specification, 4s.)

[NOTE.—Here follow five other claims.]

No. 29746.—1st February, 1911.†—JEANNE ANNA ROTH, of "Knollys," Toxteth Road, Glebe Point, near Sydney, New South Wales, Australia, House Daughter. Improved combined blouse or waist holder and skirt-support.

Extract from Specification.—Belt or tape, has, at the back, a lining of resiliently compressible material having a roughened and preferably horizontally corrugated face for the purpose of enabling a very tight grip to be made on the garment beneath it. And this lined belt or tape has eyelets through it at convenient places to receive hooks on a lower garment.

(Specification, 3s. 9d.)

[NOTE.—The above extract from the specification is inserted in place of the claims.]

No. 29749.—27th June, 1910.†—GRETA BOUVIER, of "The Firs," Tadworth, Surrey, England. An improved method of and means for fastening ladies' blouses, bodices, and like articles of wearing-apparel.

Claims.—(1.) A fastening-device for ladies' blouses, bodices, or similar exterior garments, comprising a two-part attachment, constituted by a pair of suitably stiffened strips or busks, each adapted to be secured along one of the meeting-edges of the garment, and capable of being removably attached to one another at top and bottom, and to be drawn into contact with one another by means of straps attached to each of same fastening round the waist of the wearer beneath the garment. (2.) The described method of and means for fastening ladies' blouses, bodices, and like articles of exterior wearing-apparel.

(Specification, 5s. 6d.)

No. 29752.—20th June, 1911.—RUDOLPH HERMANN McHARDY, of No. 68 Osbaldeston Road, Stamford Hill, London, England, Mechanical Expert. Improvements in and connected with piano-players and the like.

Claims.—(1.) In piano-players, a bottom door arranged and constructed to carry all the necessary apparatus for producing and maintaining the necessary vacuum, said door being adapted to displace the ordinary type of bottom door of a piano.

(Specification, 7s. 3d.)

[NOTE.—Here follow two other claims.]

No. 29753.—20th June, 1911.—RUDOLPH HERMANN MCHARDY, of No. 68 Osbaldeston Road, Stamford Hill, London, England, Mechanical Expert. Improvements in and connected with piano-players and the like.

Claims.—(1.) In automatic piano-players, a case accommodating essentially a vacuum motor, a record-roller, fittings to accommodate a take-up spool, means for driving the record-roller and take-up spool, means whereby the direction of rotation of the record-rollers and take-up spool can be reversed at will and whereby their speed can be controlled, a tracker-bar, tubes communicating from the ports in the tracker-bar to a rail near the bottom of the case, ports leading to the exterior of said rail, and means whereby said case can be secured to a tracker-bar beneath the keyboard of the instrument to which the player is adapted.

(Specification, 11s. 3d.)

[NOTE.—Here follow four other claims.]

No. 29767.—21st June, 1911.—ROSA COLLIER, of Clinton, Otago, New Zealand, Medical Practitioner. Improved curative mixture for coughs, colds, sore throats, and the like ailments.

Claim.—In an improved curative mixture for coughs, colds, sore throats, and the like ailments, the described composition of matter consisting of aromatic spirits of ammonia, spirits of nitrous ether, spirits of chloroform, compound tincture of camphor, compound tincture of cardamones, and peppermint-water in the quantities specified, for the purpose set forth.

(Specification, 1s. 3d.)

No. 29788.—28th June 1911.—FREDERICK NEWNHAM CHRISTIAN, of Tauranga, New Zealand, Engineer. Improved means for use in drawing off liquids from receptacles containing them.

Extract from Specification.—Consists in the combination with a funnel adapted to fit into the opening of the tank and to rest on its edge, of a triangular support for holding the spirit-tin secured upon the top of the funnel, and provided with a piercer device for piercing the tin so that its contents may flow into the funnel and throught it into the tank.

(Specification, 3s.)

[NOTE.—The above extract from the specification is inserted in place of the claims.]

Copies of drawings may be obtained at the uniform price of 1s. each. In exceptional cases this price may be increased at the discretion of the Office.

An asterisk (*) denotes the complete specification of an invention for which a provisional specification has been already lodged. A dagger (†) denotes a prior date under the International and Intercolonial Arrangements.

NOTE.—The cost of copying the specification has been inserted after the notice of each application. An order for a copy or copies should be accompanied by a post-office order or postal note for the cost of copying.

The date of acceptance of each application is given after the number.

Extracts from the drawings accompanying the foregoing complete specifications appear at the end of this *Gazette*.

J. C. LEWIS,
Registrar.

Provisional Specifications accepted.

Patent Office,
Wellington, 21st July, 1911.

APPLICATIONS for Letters Patent, with provisional specifications, have been accepted as under:—

- No. 29450.—E. S. Baldwin, disc cultivator. (H. W. Guest—W. G. Gaston.)
- No. 29508.—A. E. Norrie, decoy duck.
- No. 29516.—G. W. Davies, explosive.
- No. 29584.—C. Boniface, pasteurizer-stirrer.
- No. 29590.—J. R. Hayne, meat-preserving.
- No. 29597.—W. Maxwell, pneumatic-tire air-tube.
- No. 29601.—J. H. Davies, teat-cup.
- No. 29623.—R. J. Kitching, tin-opener.
- No. 29625.—T. Garland and R. Gambrill, strainer attachment to milk-can.
- No. 29637.—R. E. Nicholls, crank-case "breather" attachment.
- No. 29640.—A. H. Wright, water-heater, &c.
- No. 29644.—A. McLaurin, timber-loading bracket.
- No. 29645.—A. E. Bastard, gate-fastener.
- No. 29647.—P. Lanigan, vehicle-brake.
- No. 29654.—J. H. Mani, butter-manufacture.
- No. 29658.—E. C. Woodford and J. McLay, milking-machine pulsator.
- No. 29668.—J. E. Wilkins and G. E. Tyler, door-stop.
- No. 29701.—H. J. Sherwood-King, screw-nail.

No. 29708.—S. D. Currie and H. M. Thorpe, milk-can lid.

No. 29713.—R. Lambie, jun., and G. S. Edlin, milking-machine pulsator.

No. 29718.—N. C. Marshall, account form, &c.

No. 29720.—V. E. Mason and R. E. Harrison, rain-water filter for tank.

No. 29733.—E. J. Armstrong, vacuum valve.

No. 29737.—F. Matthews, kerosene-extracting from tins.

No. 29738.—J. Lyall, tin-lid.

No. 29741.—H. Mouat, sanitary apparatus.

No. 29742.—F. V. Raymond, paint, &c., manufacture.

No. 29756.—W. Fitzgerald, feeding-bag.

No. 29759.—M. Crowley, threshing-machine drum.

No. 29766.—J. Armstrong and W. G. Joy, venetian-blind operating.

No. 29769.—M. W. Marriage and A. Walker, boiler and washer.

No. 29776.—E. A. Williams, sheep-shearing wool-rack.

No. 29777.—W. Sinton, sash-cord fastener.

No. 29785.—H. Norgrove, fuel and steam economizer.

No. 29789.—F. H. Lambert, potato-blight destroyer.

No. 29791.—A. B. Masters, car-fare collecting, &c.

No. 29795.—J. O. Gardner, tussock, &c., remover.

No. 29806.—E. J. Bridgman, rotary engine.

No. 29808.—A. Colligan, snatch-block.

No. 29809.—C. J. Cozze, spouting-bracket.

No. 29815.—I. Fellowes and W. West, cork and capsule receiver.

No. 29826.—Booth, Macdonald, and Co., Limited, wind-mill gearing. (C. G. Whitaker.)

No. 29829.—W. Sim, can-cap securing.

No. 29830.—J. S. Wearn, tram-car route-recorder.

No. 29831.—P. J. Griffin and W. H. Coe, billy-can, &c.

No. 29840.—J. Ramage, acetylene-generator.

[NOTE.—Provisional specifications cannot be inspected, or their contents made known by this office in any way, until the complete specifications in connection therewith have been accepted.]

Letters Patent sealed.

LIST of Letters Patent sealed from the 29th June to the 21st July, 1911, inclusive:—

- No. 27199.—A. H. Wright, stamping-machine.
- No. 27456.—C. T. Swanell, smoke-consumer.
- No. 27486.—G. J. Richardson, window-dressing apparatus.
- No. 27487.—J. Whall, vehicle-jack.
- No. 27518.—L. Brennan, imparting stability to single-track bodies.
- No. 27641.—United Shoe Machinery, tack-pulling machine. (J. B. Hadaway.)
- No. 27672.—C. Suttie and M. H. Wynyard, flax-dresser.
- No. 28123.—W. A. Attenborough, alarm and steering-gear, &c.
- No. 28179.—O. Ahrens, meat-preserving.
- No. 28382.—J. Burgess and J. F. Muir, filter.
- No. 28388.—H. P. Ewell, liquid-sodium amalgam making.
- No. 28398.—Stromeyer Brake Shoe Company, brake-shoe. (J. Stromeyer.)
- No. 28566.—Sullivan Fire-proof Wall and Partition Company of Canada, Limited, partition block mould. (J. D. Sullivan.)
- No. 28647.—E. A. Ashcroft, metallic amides cyanamides, &c., manufacture.
- No. 28956.—Mjolkkningsmaskin Aktiebolaget, coupling device for air-supply tubing. (E. A. Nilsson.)
- No. 28976.—W. Flood, door stop and lock.
- No. 29126.—Youlten's "Onyx" Process (International), Limited, and W. Youlten, separating dirt from fibrous material.
- No. 29213.—M. J. Higgins, horse-race starter.
- No. 29215.—R. Collins and R. H. Wilson, milking-machine.
- No. 29224.—C. V. Henrichsen, pulsator-reversing device.
- No. 29230.—W. J. Woods, boot.
- No. 29234.—J. S. Clark, bicycle dress-guard.
- No. 29257.—S. C. Newson, internal-combustion engine.
- No. 29271.—J. M. Lofthouse and E. R. Booty, carburettor.
- No. 29311.—J. W. Morrow and B. Edwards, fence, &c., post.

Letters Patent on which Fees have been paid.

[NOTE.—The dates are those of the payments.]

SECOND-TERM FEES.

- No. 22730.—J. Toucher and C. J. Hicks, lawn-spray. (A. E. Strickland.) 13th July.
- No. 23122.—G. H. MacEwan, milk, &c., agitator. 8th July.
- No. 23201.—M. B. Church, power-transmission mechanism. 12th July.
- No. 23203.—A. J. Fortescue, ends of tires connecting. 20th July.

No. 23328.—F. R. Dennison, motor-car spare wheel. 11th July.
 No. 23783.—H. C. Newton and A. G. M. Michell, check cypher system apparatus. 20th July.

THIRD-TERM FEES.

No. 18205.—W. King, bird-trap. 17th July.
 No. 18230.—G. Watson and F. L. Watson, refuse-furnace. 18th July.
 No. 18337.—E. Moss, letter-franking machine. 20th July.
 No. 18324.—A. Kilborn, milking-machine. 11th July.
 No. 18435.—B. and W. Trehwella, lever jack. 20th July.
 No. 18436.—B. and W. Trehwella, pawl-and-ratchet mechanism. 20th July.

Subsequent Proprietors of Letters Patent registered.

[NOTE.—The name of the former proprietor is given in brackets; the date is that of registration.]

NO. 26758.—License noted on Register to David O'Reilly, of Palmerston North, New Zealand, Plumber, for certain district, as set out in deed dated 24th May, 1911. Spouting-bracket. (W. B. Topp.) 7th July, 1911.
 No. 27969.—William Jones, of Auckland, New Zealand, Hotelkeeper, registered as proprietor of the third part of George William Moselem. Lifting and lowering curtain-poles. (W. Jones, R. H. Moon, and G. W. Moselem.) 14th July, 1911.
 Nos. 28494 and 28495.—Oban Patent Neckwear Company, Limited, of 127 King Street, Sydney, Australia. Attaching tie to collar. (T. W. A. Hood and T. R. M. Glenvale.) 14th July, 1911.

Request for Correction of Clerical Error in Application for Letters Patent allowed.

THE request to correct clerical error in application for Letters Patent No. 28099, W. Tinlin—advertised in Supplement to *New Zealand Gazette*, No. 37, of the 4th May, 1911—has been allowed.

Applications for Letters Patent abandoned.

LIST of applications, with which provisional specifications only have been filed, abandoned (i.e., complete specifications not lodged) from the 7th to the 20th July, 1911, inclusive:—

No. 28391.—D. A. Ewing, sheaf-band cutter.
 No. 28394.—C. G. Munro, railway-coupling.
 No. 28397.—New Zealand Hemp Process and By-products Company, Limited, flax-catcher. (W. G. Richardson.)
 No. 28401.—A. Clegg and G. B. Ritchie, kettle.
 No. 28403.—M. T. Browne, cash-receiving, &c.
 No. 28405.—C. Lowe, cultivator.
 No. 28406.—C. G. McKellar, closet-flush.
 No. 28408.—C. S. Booth, flax-stripper.
 No. 28409.—E. Le Roy, hook and eye.
 No. 28420.—J. S. McAven and T. R. Grigson, concrete block.
 No. 28426.—E. E. Weightman, signalling-apparatus.
 No. 28429.—V. Furphy, animal-feeding device.
 No. 28430.—E. P. Levien and A. Parker, fibre-catcher.
 No. 28435.—A. Linard, dust-excluder.
 No. 28436.—D. G. Sutherland, sharpening scissors.
 No. 28438.—R. McGaffin, flax-catcher trip.
 No. 28441.—G. J. Bertinshaw, T. Wilson, C. McArthur, and J. Hutcheson, post pillar-box.
 No. 28453.—W. D. Rose, sterilizer.
 No. 28455.—P. J. Griffin and T. P. Eustege, water-heater.
 No. 28457.—E. S. Evelyn, F. W. Harkness, and S. J. R. Frith, bottle.
 No. 28458.—J. McGregor, steam-generator.
 No. 28459.—P. J. Stokes, potato-blight preventer.
 No. 28464.—S. Obery, candle-extinguisher.
 No. 28466.—H. A. Glass, trolley-pole.
 No. 28487.—T. Dixon, boring-brace.

Applications for Letters Patent void.

APPPLICATIONS for Letters Patent, with which complete specifications have been lodged, void owing to non-acceptance of such complete specifications, from the 7th to the 20th July, 1911, inclusive:—

No. 27560.—R. E. Brett, orrery.
 No. 27574.—H. M. Levinge, table.
 No. 27581.—R. D. Sim, wash-boiler.
 No. 27595.—P. J. Gossling, document-file.
 No. 27602.—Motor Tire Company, tire-cover. (E. Clark.)

Applications for Letters Patent lapsed.

APPPLICATIONS for Letters Patent lapsed, owing to Letters Patent not being sealed, from the 7th to the 20th July, 1911, inclusive:—

No. 27130.—P. Magnus, tire-tread.
 No. 27138.—K. M. Stevens, teat-cup.
 No. 27168.—B. Wallis, picture-mount cutter.
 No. 27176.—J. W. Dick and A. Leitch, ticket-attaching.
 No. 27177.—J. O. Suckling, A. H. Herbert, and E. Page, closet-flush.
 No. 27183.—J. P. Carmine, coupling.

Letters Patent void.

LIST of Letters Patent void through non-payment of renewal fees, and through expiry of term of fourteen years, from the 7th to the 20th July, 1911, inclusive:—

THROUGH NON-PAYMENT OF SECOND-TERM FEES.

No. 22656.—W. Gillett and M. D. Lehmann, carburettor.
 No. 22661.—United Shoe Machinery Company, wire-manufacture for boot-fasteners. (F. H. Perry.)
 No. 22665.—W. Dunz, stone-wood flooring.
 No. 22672.—W. Scott and M. Richard, dough-machine.
 No. 22673.—R. Sylvester, agricultural machine.
 No. 22676.—T. I. Yourelle and J. Bellingham, ferro-concrete structure.
 No. 22678.—C. Dahm, carbureted-air manufacture. (T. Page.)
 No. 22679.—A. S. Thwaites, ploughshare.
 No. 22684.—J. E. Friend, rotary steam-engine.
 No. 22687.—R. Weir, wardrobe.
 No. 22688.—R. Weir, wardrobe.
 No. 22692.—R. R. Douglas, machine-link protector.
 No. 22694.—J. K. Hitchins, axe, slasher, &c.
 No. 22696.—F. Bottrill, vehicle-wheel.
 No. 22697.—F. G. McIntosh, jar decanting apparatus. (H. V. Hampton.)
 No. 22698.—W. H. Nisbet, vehicle-brake.
 No. 22709.—A. Woodcock, cow's-tail holder.
 No. 22622.—T. D. Cummins, ascertaining temperature of baled goods.
 No. 24146.—H. E. McDonald, baling-press.
 No. 24179.—L. Hardaker, vehicle-wheel.

THIRD-TERM FEES.

No. 17764.—G. Powell, fencing-dropper.
 No. 17769.—New Century Engine Company, Limited, locomotive, &c. (New Century (Foreign Patents) Company, Limited—E. Field.)
 No. 17778.—G. Westinghouse, turbine. (W. E. Hughes—G. Westinghouse.)
 No. 17801.—McClellan Arms and Ordnance Company, gun-recoil counteracting. (S. N. McClellan.)
 No. 19257.—Consolidated Rubber Tire Company, tire. (A. S. Krotz.)

THROUGH EXPIRY OF TERM.

No. 9673.—R. D. Hume, can-making machine.

Applications for Trade Marks filed.

LIST of applications for registration of Trade Marks filed from the 7th to the 20th July, 1911, inclusive:—

No. 9757.—5th July.—California Fruit Cannery's Association, San Francisco, U.S.A. Class 42.
 No. 9758.—6th July.—Hill and Barton, Limited, Wellington, N.Z. Class 42.
 No. 9759.—10th July.—D. and J. Anderson, Limited, Glasgow, Scot. Class 24.
 Nos. 9760 and 9761.—11th July.—Hill and Plummer, Limited, Auckland, N.Z. Classes 4 and 15.
 No. 9762.—11th July.—A. Wilson, Glasgow, Scot. Class 2.
 No. 9763.—11th July.—J. Spicer and Sons, Limited, London, Eng. Class 39.
 No. 9764.—11th July.—Bewley Limited, Sydney, N.S.W. Class 6.
 Nos. 9765, 9766, 9767, and 9768.—12th July.—E. S. Dixon, Palmerston North, N.Z. Classes 44, 42, 16, and 44.
 Nos. 9769, 9770, and 9771.—12th July.—British Patent Perforated Paper Company, London, Eng. Class 48.
 Nos. 9772 and 9773.—13th July.—A. Eady and Co., Auckland, N.Z. Classes 9 and 39.
 No. 9774.—13th July.—Austin Motor Company, Limited, Birmingham, Eng. Class 22.
 No. 9775.—13th July.—Papier Poudré, Limited, Eng. Class 48.
 No. 9776.—14th July.—Baxter Bros. and Co., Limited, Dundee, Scot. Class 27.
 No. 9777.—17th July.—Whittome, Stevenson, and Co., Limited, Auckland, N.Z. Class 50.

No. 9778.—17th July.—G. Neich, Carterton, N.Z. Class 2.
 No. 9779.—18th July.—Ehrich and Graetz, Berlin, Ger. Class 18.
 No. 9780.—18th July.—Watson Bros., Limited, Palmerston North, N.Z. Class 42.
 No. 9781.—18th July.—H. M. Cuff, Auckland, N.Z. Class 3.
 No. 9782.—20th July.—R. Fewell, Paeroa, N.Z. Class 44.
 No. 9783.—20th July.—A. Carson, Masterton, N.Z. Class 47.
 No. 9784.—20th July.—C. J. Clayton, Rangitata, N.Z. Class 42.
 No. 9785.—20th July.—A. J. Eaton, Hastings, N.Z. Class 50.

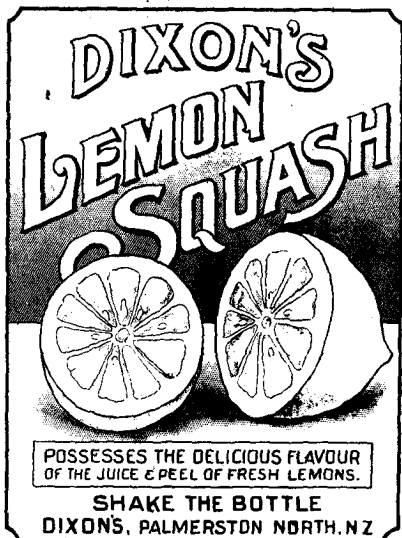
Applications for Registration of Trade Marks.

Patent Office,
 Wellington, 21st July, 1911.

A PPLICATIONS for registration of the following Trade Marks have been received. Notice of opposition to the registration of any of these applications may be lodged at this office within two months of the date of this *Gazette*. Such notice must be in duplicate, and accompanied by a fee of £1.

No. of application: 8690.
 Date: 22nd April, 1910.

TRADE MARK.



The essential particular of this trade mark is the distinctive label.

NAME.

E. SHEP. DIXON, of Fitzherbert Street, Palmerston North, in the Dominion of New Zealand.

No. of class: 42.
 Description of goods: Lemon squash.

No. of application: 8870.
 Date: 12th July, 1910.

TRADE MARK.

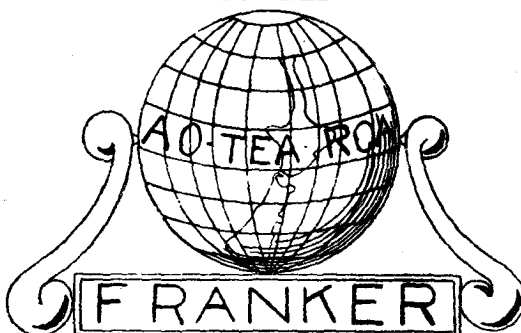


NAME.
 J. M. WALKER AND CO., LIMITED, of 29 Mosley Street, Manchester, England, Manufacturers.

No. of class: 38.
 Description of goods: Articles of clothing made of textile fabric.

No. of application: 9212.
 Date: 6th December, 1910.

TRADE MARK.



The essential particulars of this trade mark are the distinctive device and the word "Ao-Tea-Roa"; and any right to the exclusive use of the added matter is disclaimed.

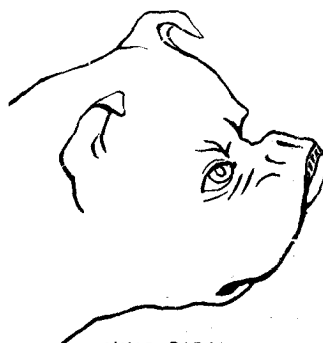
NAME.

ARTHUR HARRY WRIGHT, of 3 Dowling Street, Dunedin, in the Dominion of New Zealand, Commercial Traveller.

No. of class: 6.
 Description of goods: Machines for stamping, impressing, embossing, and other purposes for franking and indicating on mail-matter, documents, and packages.

No. of application: 9443.
 Date: 10th March, 1911.

TRADE MARK.



KING DICK

The essential particulars of the trade mark are as follow—the picture of a dog's head, and also the words "King Dick."

The applicants claim that the said trade mark has been used by them and their predecessors in business in respect of the articles mentioned for and since eight years before the 1st day of January, 1890.

NAME.

ABINGDON-ECCO LIMITED, of King's Road, Tyseley, Birmingham, Warwickshire, England, Manufacturers.

No. of class: 22.
 Description of goods: The whole of the goods included in Class 22.

[NOTE.—Class 22 is for "Carriages such as railway-carriages, wagons, railway-trucks, bicycles, bath-chairs."]

No. of application: 9533
 Date: 6th April, 1911.

TRADE MARK.

The word

ADOMAX.

NAME.

EHRIK AND GRAETZ, of 92/93 Eisenstrasse, Berlin, Germany, Manufacturers.

No. of class: 13.

Description of goods: Lamps and lanterns of all kinds, and parts thereof, whether for oil, spirits, benzine, or other fluids, gas, or electricity (arc lamps or glow-lamps); electrodes for arc lamps, holders and regulators for the electrodes, carbon and metal filaments for electric glow-lamps, furnishings for electric lamps, switches, fuses, cut-outs, resistances, plugs, conductors and protecting metal tubes therefor; burners, reflectors, shades, lamp-galleries, supports for incandescent mantles, supports for reflectors, bells, lamp or lantern guards, cocks and valves, sockets, nipples, unions, ball-and-socket joints, elbows, smoke-bells, counter-weights, pendants, brackets, coronas, candelabra, chandeliers, gas-standards, gas-lighters and fittings, and fittings and parts of stoves or apparatus for cooking or heating purposes—all the said goods being wholly or principally of ordinary metal and included in Class 13.

No. of application: 9549.
Date: 28th June, 1911.

TRADE MARK.



The essential particular of this trade mark is the distinctive label.

NAME.

ALEXANDER MURRAY HUXTABLE, of 87 High Street, Roslyn, Dunedin, in the Dominion of New Zealand, Manufacturer.

No. of class: 3.

Description of goods: Chemical substances prepared for use in medicine and pharmacy.

No. of application: 9603.
Date: 29th April, 1911.

TRADE MARK.



The essential particular of this trade mark is the name "The Dresden" printed or impressed in a particular manner.

NAME.

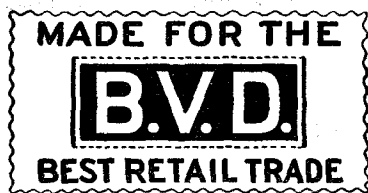
THE DRESDEN PIANOFORTE MANUFACTURING AND AGENCY COMPANY, LIMITED, trading also as "The Dresden," of Dunedin and elsewhere in the Dominion of New Zealand.

No. of class: 9.

Description of goods: All classes of musical instruments, including strings and parts of musical instruments and perforated music.

No. of application: 9608.
Date: 4th May, 1911.

TRADE MARK.



The essential particular of the trade mark is as follows—the distinctive device; and any right to the exclusive use of the added matter and the letters "B.V.D." is disclaimed.

NAME.

B.V.D. COMPANY, a corporation organized and existing under the laws of the State of Delaware, and located and doing business at 65 Worth Street, in the Borough of Manhattan; City, County, and State of New York; United States of America, Manufacturers.

No. of class: 38.

Description of goods: Undershirts and underdrawers made of textile material entirely, or partly of textile and partly of knitted material.

B

No. of application: 9678.
Date: 2nd June, 1911.

TRADE MARK.

The word

RAYO.

The essential particular of this trade mark is the word "Rayo."

NAME.

VACUUM OIL COMPANY PROPRIETARY, LIMITED, of 90 William Street, in the City of Melbourne, Commonwealth of Australia, and elsewhere, Oil and Grease Merchants.

No. of class: 13.

Description of goods: Lamps and lampware included in this class.

No. of application: 9718.
Date: 19th June, 1911.

TRADE MARK.



The essential particular of this trade mark is the distinctive label.

NAME.

THE AUSTRAL AERATED WATER COMPANY, of Ingestre Place Wellington, in the Dominion of New Zealand, Aerated Water and Cordial Manufacturers.

No. of class: 44.

Description of goods: Aerated waters and cordials.

No. of application: 9727.
Date: 21st June, 1911.

TRADE MARK.



The essential particular of the above trade mark is the distinctive brand; and any right to the exclusive use of the letters is disclaimed.

NAME.

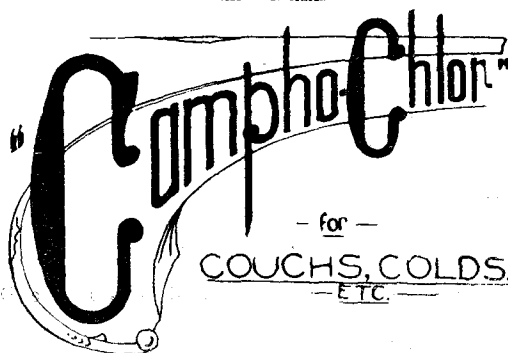
LOCKE, BLACKETT, AND CO., LIMITED, of Gallowgate, Newcastle-upon-Tyne, England, Lead-manufacturers.

No. of class: 1.

Description of goods: Ground white-lead, dry white-lead, dry red-lead, orange-lead, and litharge.

No. of application: 9730.
Date: 23rd June, 1911.

TRADE MARK.



The essential particular of this trade mark is the distinctive device, including the words "Campho-Chlor"; and any right to the exclusive use of the added matter is disclaimed.

NAME.

ROSA COLLIER, of Clinton, Otago, in the Dominion of New Zealand, Medical Practitioner.

No. of class: 3.
Description of goods: Chemical substances prepared for use in medicine and pharmacy.

No. of application: 9737.
Date: 26th June, 1911.

TRADE MARK.

The word

TRU-FRUIT.

The essential particular of this trade mark is the coined word "Tru-Fruit."

NAME.

JAMES NEIL, LIMITED, of 108 George Street, Dunedin, in the Dominion of New Zealand.

No. of class: 42.
Description of goods: Cordials, non-alcoholic and non-aerated.

No. of application: 9741.
Date: 29th June, 1911.

TRADE MARK.

The word

KOFNOT.

No claim is made to the exclusive use of the words "cough not."

NAME.

ERNEST BERTRAM DAVIES, of Wanganui, in the Dominion of New Zealand, Chemist, trading under the name of "The Davies Pharmacy."

No. of class: 3.
Description of goods: A preparation for coughs and colds.

No. of application: 9746.
Date: 30th June, 1911.

TRADE MARK.

The word

SOLDINE.

The essential particular of this trade mark is the word "Soldine."

NAME.

COLLINGWOOD ARTHUR WHITCOMBE HARGRAVES, Gentleman, and FREDERIC CONRAD PATRICK FIDDY, Public Accountant, both of Gisborne, in the Dominion of New Zealand.

No. of class: 5.
Description of goods: Specially manufactured solder in bars.

No. of application: 9751.
Date: 4th July, 1911.

TRADE MARK.

The words

GOLDEN SMILE STOVESHINE.

The essential particulars of this trade mark are the words "Golden Smile"; and any right to the exclusive use of the word "Stoveshine" is disclaimed.

NAME.

ARTHUR ELLIS and WILLIAM PEBERDY, both of 24 Cobden Street, Newton, Auckland, in the Dominion of New Zealand, Manufacturers.

No. of class: 50.
Description of goods: Stove-polish.

No. of application: 9758.
Date: 6th July, 1911.

TRADE MARK.

The word

GLEN.

NAME.

HILL AND BARTON, LIMITED, of Wellington, in the Dominion of New Zealand.

No. of class: 42.
Description of goods: Butter.

No. of application: 9759.
Date: 10th July, 1911.

TRADE MARK



The essential particular of the trade mark is the device; and any right to the exclusive use of the added matter is disclaimed.

NAME.

DAVID AND JOHN ANDERSON, LIMITED, of Atlantic Mills, Bridgeton, Glasgow, Scotland, Manufacturers.

No. of class: 24.
Description of goods: Cotton piece-goods.

No. of application: 9762.
Date: 11th July, 1911.

TRADE MARK.

The word

SCHABOK.

NAME.

ANDREW WILSON, of 107 West Regent Street, Glasgow, Scotland, Manager.

No. of class: 2.
Description of goods: Medicines for animals.

No. of application: 9763.
Date: 11th July, 1911.

TRADE MARK

The word

KOOKERA.

NAME.

JAMES SPICER AND SONS, LIMITED, a company incorporated under the company laws of Great Britain, of 50 Upper Thames Street, London, England, Wholesale Stationers.

No. of class: 39.
Description of goods: Paper (except paperhangings), paper bags, envelopes, and like goods.

No. of application: 9768.
Date: 12th July, 1911.

TRADE MARK

The word

DIXON'S.

The applicant claims that the said trade mark has been used by him and his predecessors in business in respect of the articles mentioned for fifty years.

NAME.

E. SHEP. DIXON, of Fitzherbert Street, Palmerston North, in the Dominion of New Zealand.

No. of class: 44.
Description of goods: All goods in this class.

[NOTE.—Class 44 is for "Mineral and aerated waters, natural and artificial, including ginger-beer."]

No. of application: 9769.
Date: 12th July, 1911.

TRADE MARK.

The word

SANICO.

The essential particular of this trade mark is as follows—the word "Sanico."

NAME.

BRITISH PATENT PERFORATED PAPER COMPANY, of Atlas Works, Berkshire Road, Hackney Wick, London N.E., England, Manufacturers.

No. of class: 48.
Description of goods: Medicated toilet papers and rolls, and other toilet papers and rolls.

No. of application : 9770.
Date : 12th July, 1911.

TRADE MARK.

The word

SILVARA.

The essential particular of this trade mark is the word "Silvara."

NAME.

BRITISH PATENT PERFORATED PAPER COMPANY, of Atlas Works, Berkshire Road, Hackney Wick, London N.E., England, Manufacturers.

No. of class : 48.

Description of goods : Medicated toilet papers and rolls, and other toilet papers and rolls.

No. of application : 9771.
Date : 12th July, 1911.

TRADE MARK.

The word

UNICO.

The essential particular of this trade mark is the word "Unico."

NAME.

BRITISH PATENT PERFORATED PAPER COMPANY, of Atlas Works, Berkshire Road, Hackney Wick, London N.E., England, Manufacturers.

No. of class : 48.

Description of goods : Medicated toilet papers and rolls, and other toilet papers and rolls.

No. of application : 9773.
Date : 13th July, 1911.

TRADE MARK.

The word

MAORILAND.

The essential particular of this trade mark is the word "Maoriland."

NAME.

A. EADY AND Co., of Queen Street, Auckland, in the Dominion of New Zealand, Musical-instrument Importers.

No. of class : 39.

Description of goods : Manuscript music-paper and manuscript music-books.

No. of application : 9774.
Date : 13th July, 1911.

TRADE MARK.



NAME.

THE AUSTIN MOTOR COMPANY, LIMITED, of Longbridge Works, Northfield, near Birmingham, England, Manufacturers of Automobiles.

No. of class : 22.

Description of goods : Automobiles.

No. of application : 9775.
Date : 13th July, 1911.

TRADE MARK.

POPPŒA

The essential particular of this trade mark is the coined or invented word "Poppœa."

NAME.

PAPIER POUDRÉ, LIMITED, of 23 Somerset Street, Portman Square, London, England, Manufacturers.

No. of class : 48.

Description of goods : Perfumery, including toilet articles, preparations for the teeth and hair, and perfumed soaps.

J. C. LEWIS,
Registrar.

Trade Marks registered.

LIST of Trade Marks registered from the 7th to the 20th July, 1911, inclusive :—

No. 7413/9205. — Kolok Manufacturing Company, Limited. Class 39. (*Gazette* No. 108, of the 15th December, 1910.)

Nos. 7543/9528, 7544/9529, 7545/9530, 7546/9531, and 7547/9532. — J. Watson and Co., Limited. Class 43. (*Gazette* No. 33, of the 20th April.)

No. 7543/9538. — A. J. Tower Company. Class 38. (*Gazette* No. 33, of the 20th April.)

No. 7549/9490. — Ellis and Manton. Class 47. (*Gazette* No. 33, of the 20th April.)

No. 7550/8847. — G. Honeywood. Class 6. (*Gazette* No. 69, of the 14th July, 1910.)

No. 7551/9519. — E. J. Hyams. Class 50. (*Gazette* No. 33, of the 20th April.)

No. 7552/9247. — Standard Earth Auger Company. Class 13. (*Gazette* No. 2, of the 12th January.)

No. 7553/8851. — Langguth and Co. Class 43. (*Gazette* No. 77, of the 11th August, 1910.)

No. 7554/8979. — Hill and Barton, Limited. Class 42. (*Gazette* No. 86, of the 22nd September, 1910.)

Nos. 7555/9090, 7556/9091, 7557/9092, and 7558/9093. — Hill and Barton, Limited. Class 42. (*Gazette* No. 97, of the 3rd November, 1910.)

No. 7559/8812. — R. McKinlay and Sons. Class 38. (*Gazette* No. 66, of the 30th June, 1910.)

No. 7560/9461. — J. E. Watson and Co., Limited. Class 2. (*Gazette* No. 33, of the 20th April.)

No. 7561/9194. — F. W. Gardiner. Class 9. (*Gazette* No. 108, of the 15th December, 1910.)

Trade Mark Renewal Fees paid.

FEES paid for the renewal of the undermentioned Trade Marks for fourteen years from the date first mentioned :—

Nos. 2058/1659 and 2059/1660. — 13th July, 1911. — J. Braithwaite, Dunedin, N.Z. 13th July, 1911.

No. 2079/1681. — 6th August, 1911. — The Wellington Fresh Food and Ice Company, Limited, Wellington, N.Z. (Finn, Chisholm, and Co.) 14th July, 1911.

No. 2116/1904. — 4th September, 1911. — H. M. Keesing, Auckland, N.Z. 10th July, 1911.

Trade Marks removed from the Register.

TRADE Marks removed from the Register owing to the non-payment of the renewal fee, from the 7th to the 20th July, 1911, inclusive :—

No. 1952/1571. — 8th April, 1897. — T. Higgin and Co., Liverpool, Eng. Class 42.

No. 1961/1578. — 20th April, 1897. — Maconochie Bros., London and Lowestoft, Eng. Class 42.

Subsequent Proprietor of Trade Marks registered.

[NOTE.—The name of the former proprietor is given in brackets; the date is that of registration.]

NO. 5723/4582. — William Alexander Fraser, of Bourke Street, Melbourne, Victoria, Australia, Importer. (W. Somerville.) 12th July, 1911.

Application for Trade Mark opposed.

NOTICE of opposition has been filed in the following case:—

No. 9514.—Thomson, Lewis, and Co., opposed by W. Corry and Co., Limited; Ross and Sons, Limited; and Cantrell and Cochrane, Limited.

Applications for Trade Marks abandoned or refused.

LIST of applications for registration of Trade Marks abandoned or refused from the 1st March, 1911, to the 14th July, 1911, inclusive:—

No. 8017.—29th May, 1909.—The "New Way" Motor Company, of Lansing, Ingham, Michigan, U.S.A. Class 6.

No. 8365.—3rd November, 1909.—Borsalino Gppe. and Fila. Societa Anonima, of Alessandria, Italy. Class 33.

No. 8888.—17th November, 1909.—F. Abraham and Co., of London, Eng. Class 42.

No. 8447.—14th December, 1909.—Coates and Co., of Plymouth, Eng. Class 43.

No. 8450.—15th December, 1909.—Baxter Bros. and Co., Limited, of Dundee, Scot. Class 27.

No. 8484.—13th January, 1910.—F. Gnosill, of Walsall, Eng. Class 13.

No. 8518.—26th January, 1910.—J. Travers and Sons, Limited, of London, Eng. Class 42.

No. 8519.—26th January, 1910.—J. Travers and Sons, Limited, of London, Eng. Class 42.

No. 8675.—12th April, 1910.—E. W. Pidgeon and Co., Limited, of Christchurch, N.Z. Class 22.

No. 8680.—18th April, 1910.—P. Healy, of Makara, Wellington, N.Z. Class 44.

No. 8787.—6th June, 1910.—J. H. Clay, of Wanganui, N.Z. Class 48.

No. 9694.—7th June, 1911. Kodak Australasia, Limited, of Wellington, N.Z. Class 39.

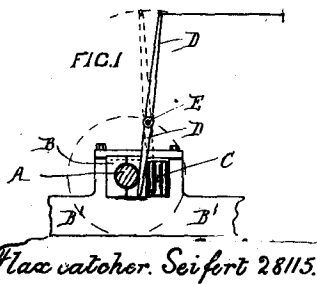
No. 9695.—7th June, 1911.—Kodak Australasia, Limited, of Wellington, N.Z. Class 1.

No. 9700.—7th June, 1911.—Kodak Australasia, Limited, of Wellington, N.Z. Class 1.

By Authority: JOHN MACKAY, Government Printer, Wellington.

ILLUSTRATIONS OF INVENTIONS.

[These illustrations refer to the complete specifications accepted, and advertised in this Gazette.]



Flux catcher. Sei fort 28115.

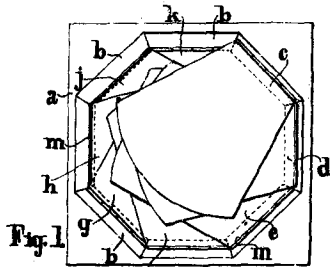
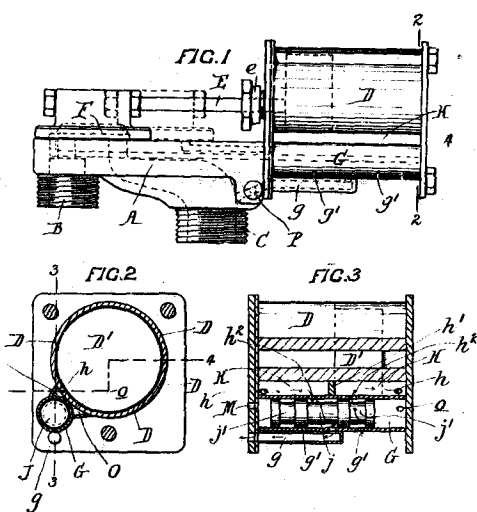


Fig. 1



Milking machine pulsator. Reid. 28319.

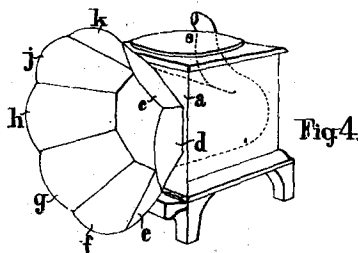


Fig. 4

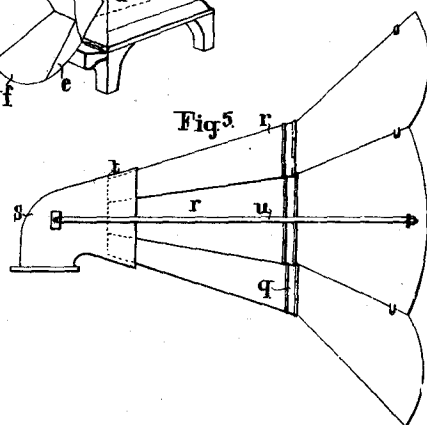


Fig. 5

Amplifier, sound. Landon 28264

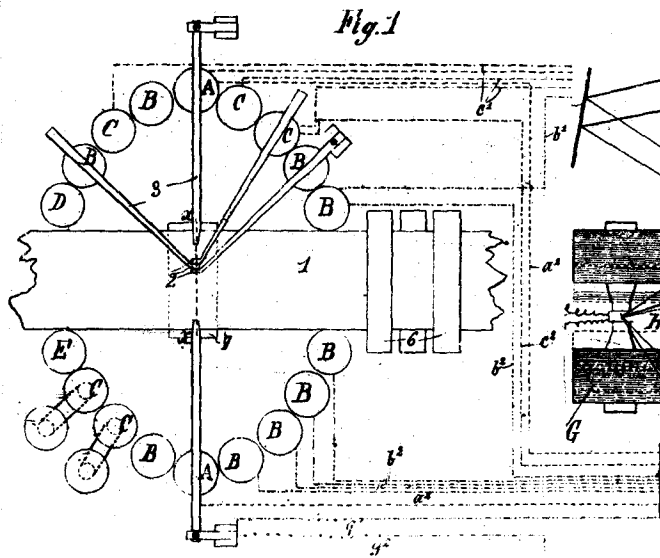


Fig. 1

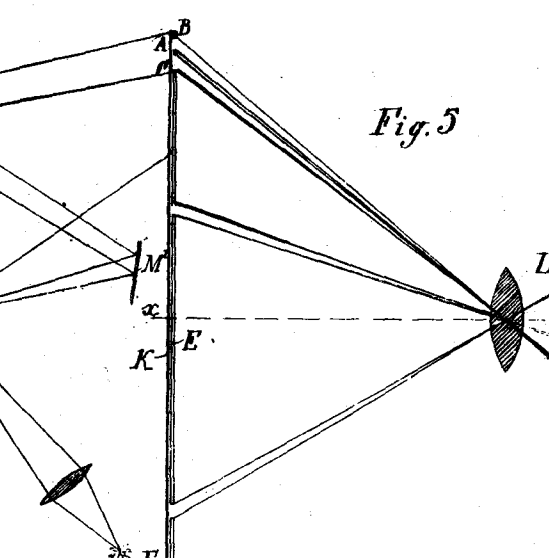


Fig. 5

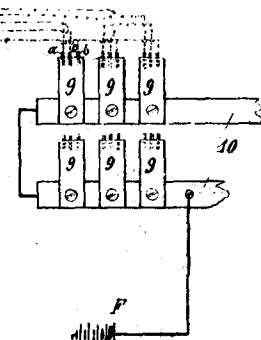
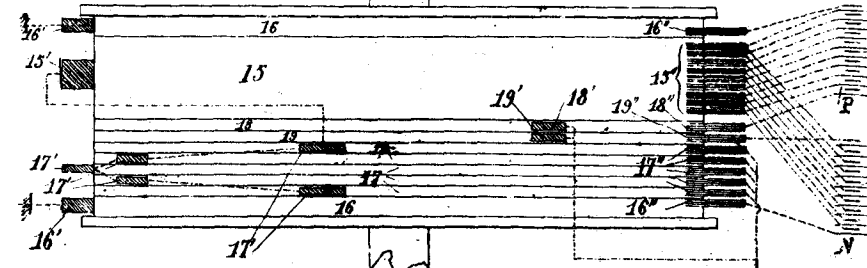
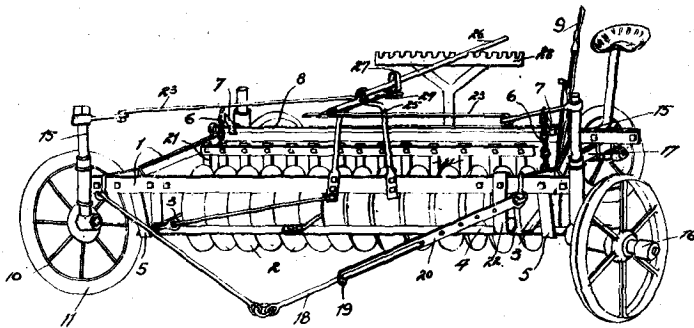


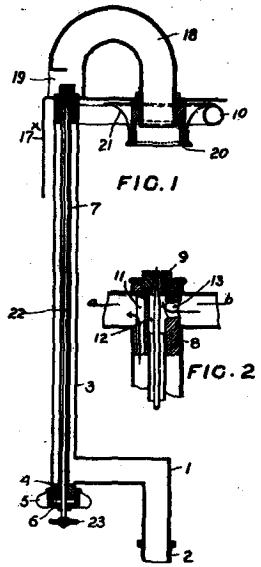
Fig. 3



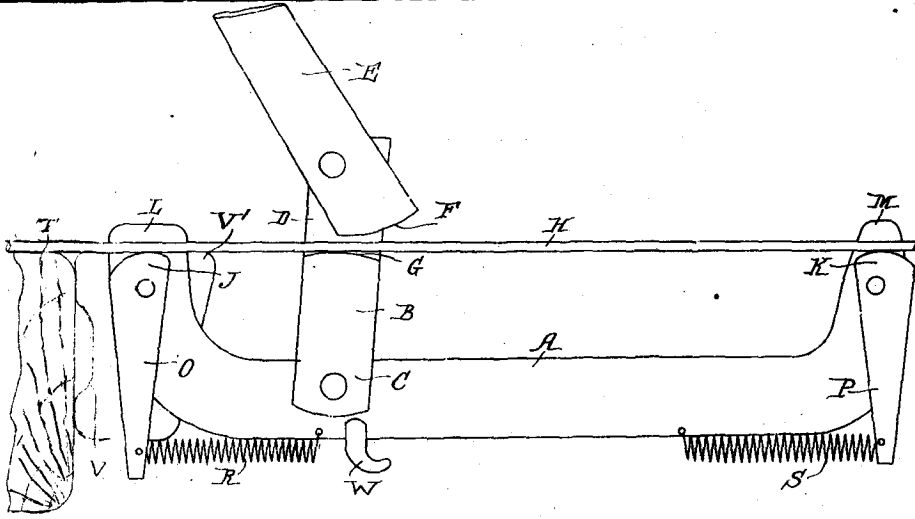
Tachytelegraph & teletype. Belin 29114



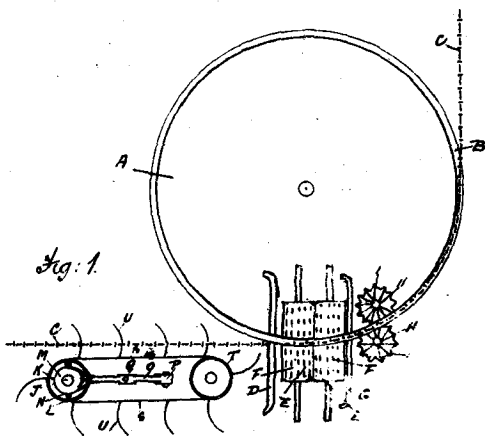
Cultivator. Baldwin (Guest-Gaston). 29450.



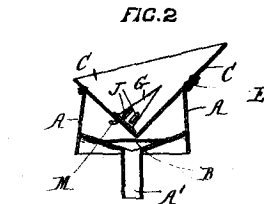
Vaporiser. Preston. 29650.



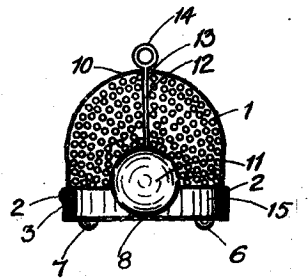
Wire strainer. Scott. 29705.



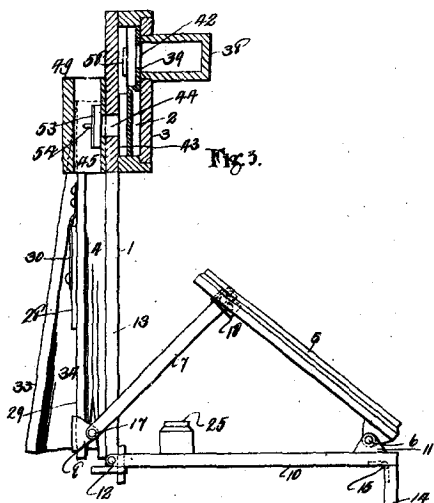
Flacc dresser. Suttie & Wynyard. 28456.



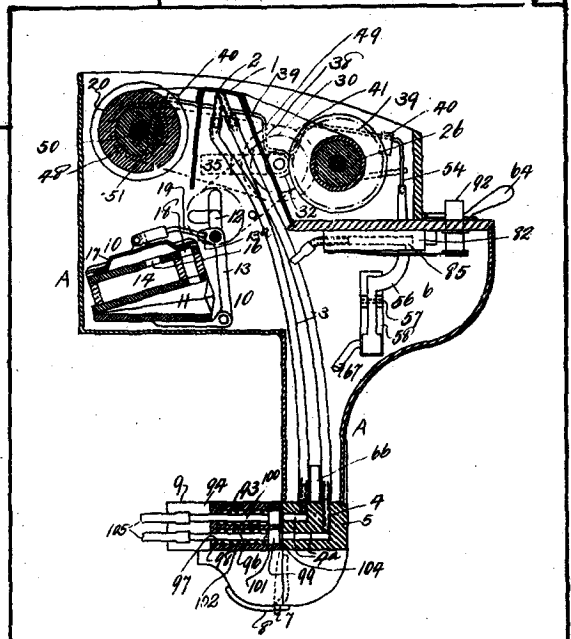
Tin emptier. Christian. 29788.



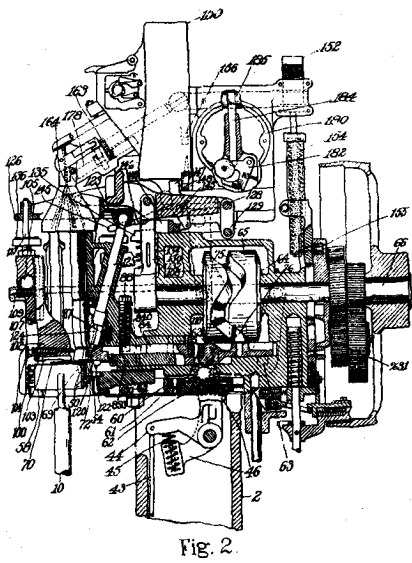
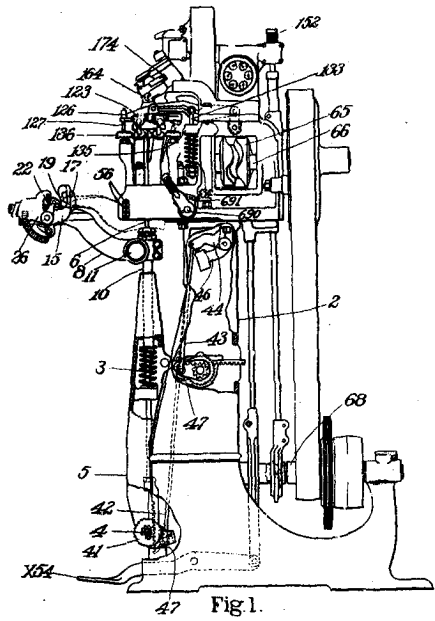
Tea infuser & strainer. Wylie. 29165.



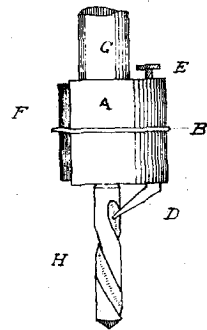
Piano player. McHardy. 29752.



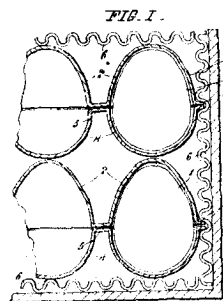
Piano player. McHardy. 29753.



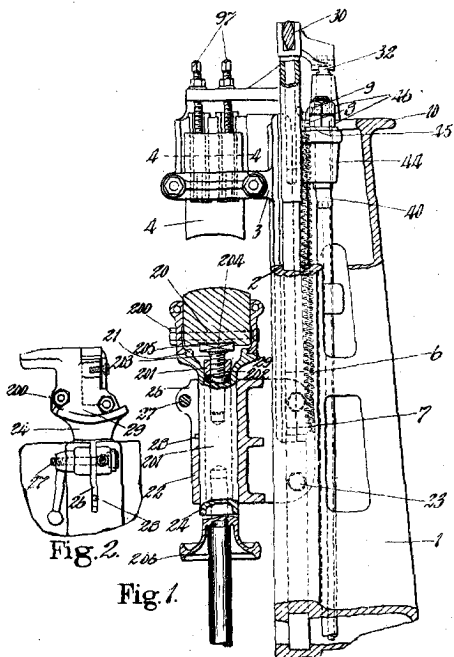
Boot & shoe manufacture. United Shoe Machinery Company (McFeely) 28431.



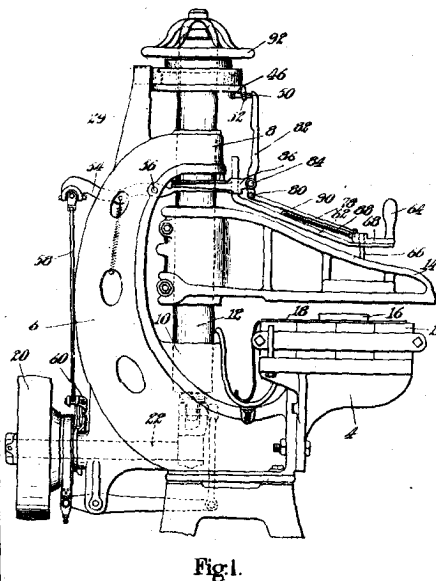
Lubricator drill. Oldman. 28362.



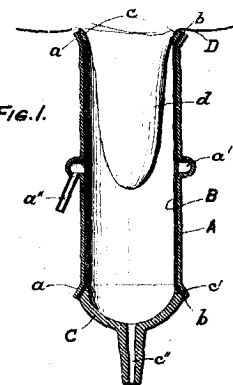
Egg carrier. May. 28618.



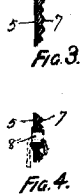
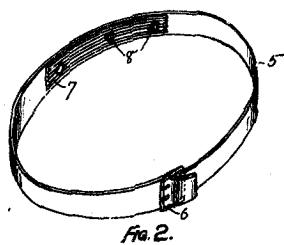
Boot-heel breasting machine. United Shoe Machinery Company (Bates) 28386



Boot press. United Shoe Machinery Company (Spencer) 28432.



Feat cup. Sharples. 28728.



Blouseholder & skirt support. Both 29146.

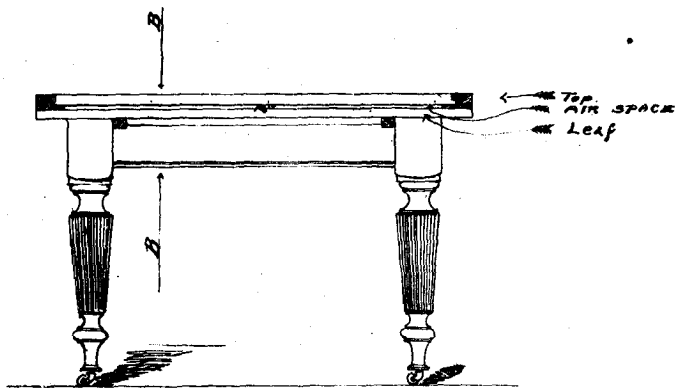
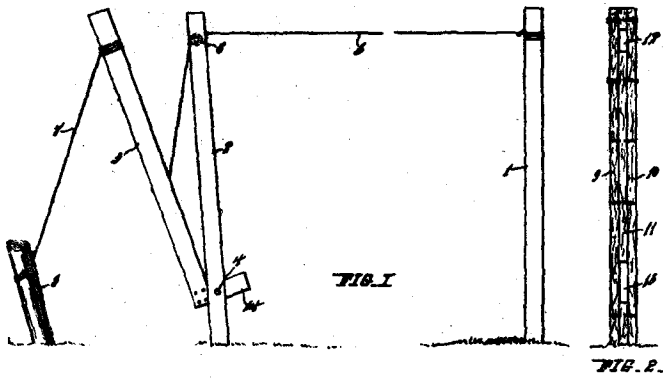
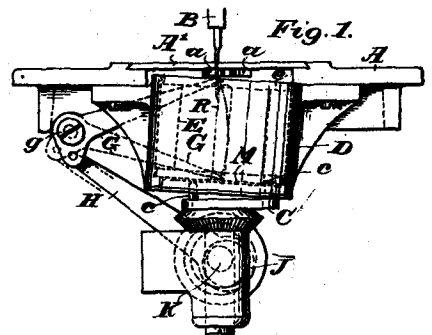


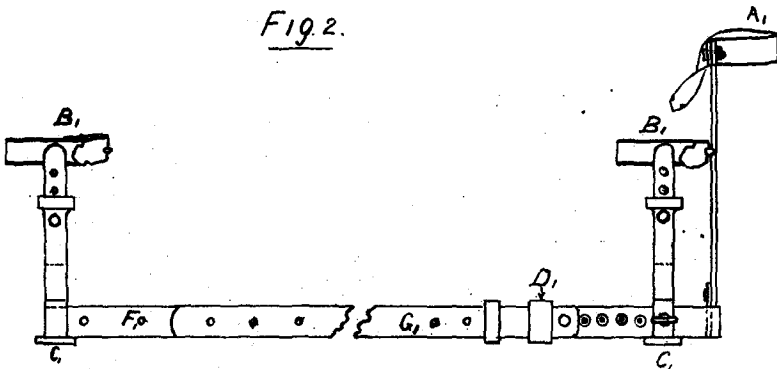
Table. Townley & Sharples. 29536.



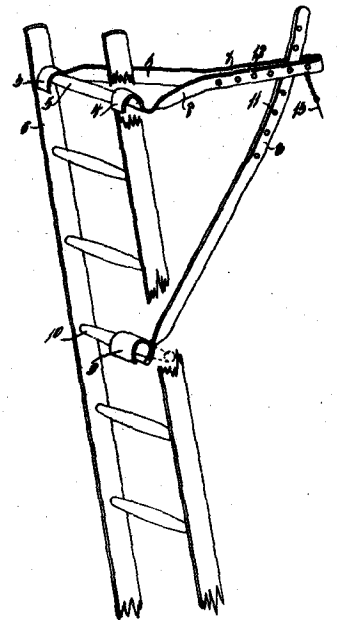
Clothes line standard. Levinge. 29622.



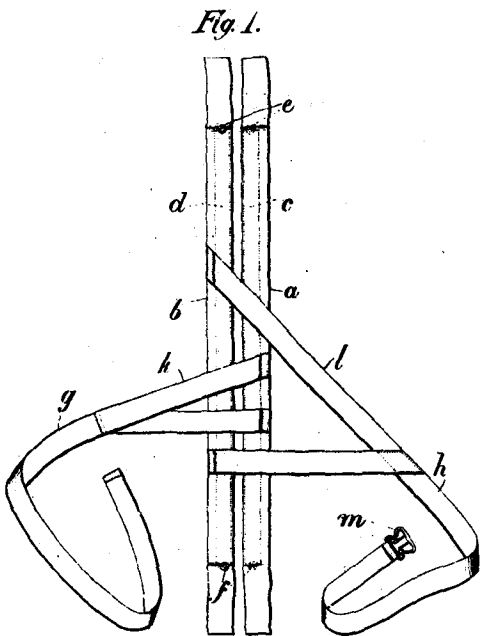
Sewing machine. F. J. & H. C. Bell & Brandwood. 29683



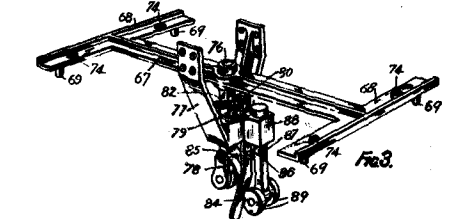
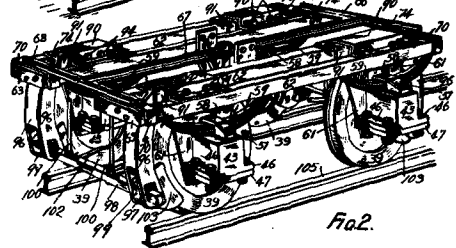
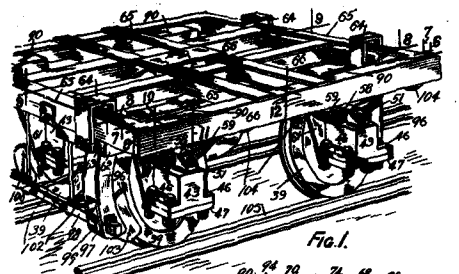
Leg and tail holder. Firth. 29639.



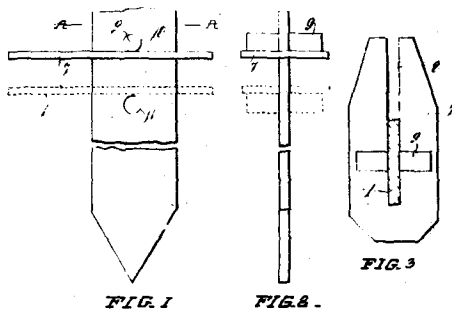
Ladder bracket. Grayson and Bell. 29642.



Blouse etc fastener. Bouvier. 29749.



Railway car running gear. Angus. 29656.



Fencing standard. McLean. 29736.